

HORIZON

NON-TILT COMMODORE

STAINLESS STEEL



Our commodes are made with materials such as stainless steel, Tek-4 and Polyurethane (Non-Porous) to ensure they are Anti-Microbial and easy to clean.

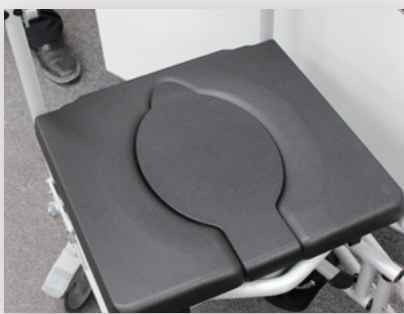
Commode frame, metal components and casters are rust proof with stainless steel for long life and durability.

AVAILABLE TEK-4 SEATING AND ACCESSORIES

Tek Stretch 4 is Fluid Proof PU Film laminated to 100% polyester knit T-jersey. 4-way stretch and treated with antimicrobial/antibacterial finish.

AADL CODE: G036 / G065

The HORIZON commode excels in quality and functionality. This chair gives users the ability to comfortably carry out their daily personal care routine safely and effectively. It is built with heavy duty materials and quality assembly for durability.



Black molded sanitary cover

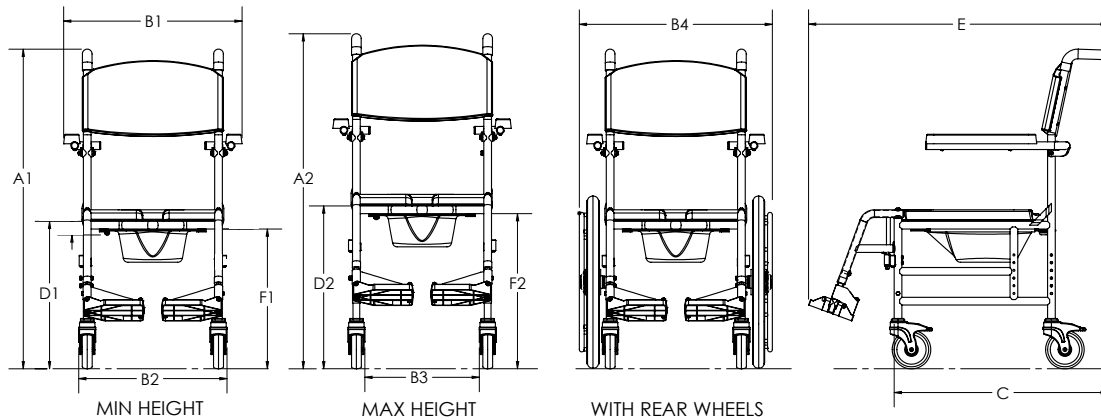


Optional Swing In And Swing Out
Front Rigging



Optional Self propelling wheels

Welcome home



		B1	B2	B3	B4
	CHAIR WIDTH (")	(ARM PAD)	(OUTSIDE CASTER)	(INSIDE CASTER)	(REAR WHEEL)
H1	14	19.188	15.268	10.858	21.098
	15	20.188	16.268	11.858	22.098
	16	21.188	17.268	12.858	23.098
	17	22.188	18.268	13.858	24.098
	18	23.188	19.268	14.858	25.098
H2	19	24.188	20.268	15.858	26.098
	20	25.188	21.268	16.858	27.098
	21	26.188	22.268	17.858	28.098
H3	22	27.188	23.268	18.858	29.098
	23	28.188	24.268	19.858	30.098
	24	29.188	25.268	20.858	31.098
	25	30.188	26.268	21.858	32.098
	26	31.188	27.268	22.858	33.098

	E (OVERALL DEPTH WITH FOOTREST)				C
CHAIR DEPTH (")	60° FOOTREST	70° FOOTREST	80° FOOTREST	90° FOOTREST	(NO FOOTREST)
16	38.751	36.951	34.974	32.885	25.823
18	40.751	38.951	36.974	34.885	27.823
20	42.751	40.951	38.974	36.885	29.823

A1 (OVERALL MIN HT.)	41.552
A2 (OVERALL MAX HT.)	43.552

	NO SEAT	REG. SEAT	SOFT SEAT
D1 (SEAT MIN HT.)	19.164	20.664	21.789
D2 (SEAT MAX HT.)	21.164	22.664	23.789

	NO BRACKET	BRACKET	BUCKET
F1 (PAN MIN CLEARANCE)	18.164	17.405	13.851
F2 (PAN MAX CLEARANCE)	20.164	19.405	15.851

I
O
R
I
N
O
Z

HORIZON 1

All Features Of Horizon Are The Following :

- Weight capacity 250 lbs.
- 18" X 18" Easy to clean urethane seat
- Seat width by frame 18"
- Overall width 23"
- Rear axle receiver ready
- Stainless steel frame - water resistant
- 20" Back height
- Black urethane easy to clean back rest
- Black molded sanitary cover
- Flip back arms
- Black urethane easy to clean arm pads
- 6" X 10" X 14" Large bucket
- 4" X 5" Rust resistant nylon casters (3 Total locking casters and 1 directional lock caster)
- Water proof headrest
- 70° footrest
- Weight of chair: ≈ 37 lbs.

UP CHARGE OPTIONS

- 14" To 20" Seat depth
- 21" To 26" Seat depth
- 14" To 17" Seat width
- 23" To 26" Seat width
- Custom back height
- Capacity 750 to 1000 lbs.
- Tension back
- Lock down flip back arms
- Closed oval soft seat 18" to 22"
- Key hole soft seat 18" to 22"
- 60° footrest
- 80° footrest
- 90° footrest
- Elevating leg rest (not water proof)
- Angle adjustable footplates (not water proof)
- One piece foot board
- Seat belt (plastic)
- Height adjustable casters
- Custom seat to floor height
- Custom soft seats
- Self propelling wheels

HORIZON 2

All Features Of Horizon 1 Plus The Following:

- Weight capacity 350 lbs.
- 18" X 18" Easy to clean urethane seat
- Seat width by frame 20"
- Overall width 25"
- Heavy duty construction
- Weight of chair: ≈ 39 lbs.

HORIZON 3

All Features Of Horizon 1 Plus The Following:

- Weight capacity 450 lbs.
- 21" X 18" Easy to clean urethane seat
- Seat width by frame 22"
- Overall width 27"
- Extra heavy duty construction
- Weight of chair: ≈ 41 lbs.

Seat Heights

- 24" Wheels X 5" Casters = 21" Seat to Floor Height

Wheel Option: Self Propelling Wheels

- 24" Wheels/ 5" Casters

Warranty: 5 Years On Frame

- 1 Year on components



Learn more about this product by scanning the QR Code

